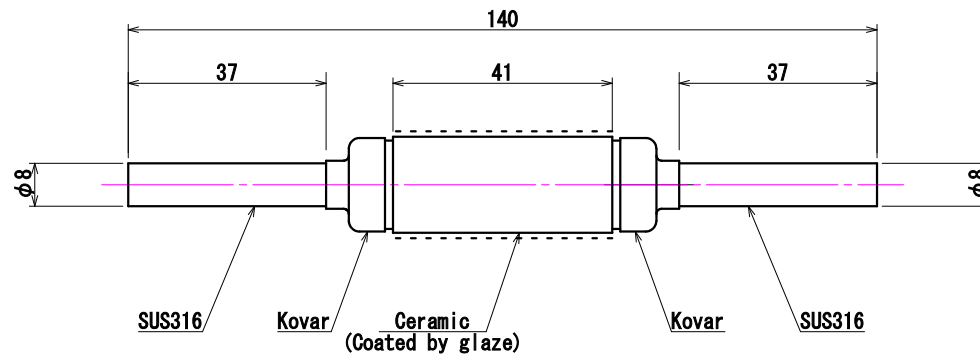


Model Name	Cryogenic Breaks For Gas
Model No.	CB-G-S1500V-8
Contact	osaka-sales@kawaso-texcel.co.jp
	Koeln-sales@kawaso-texcel.de (in Europe)
	Kawaso Texcel CO.,Ltd.



Caution

- +Recommend Non-Corrosive gas for usage
- +In case of liquid usage, Liquid type (CB-L-S series) are available.
- +Avoid stress such as Impact, Bending, Twisting etc when you connect at the jointing part. (Fix the joint body with a tool and turn the nut secure.)

The specifications of the above are subject to change without notice.

Model Name : Cryogenic Breaks For Gas (CB-G-S1500V-8)

Dimensions are in Millimeter.