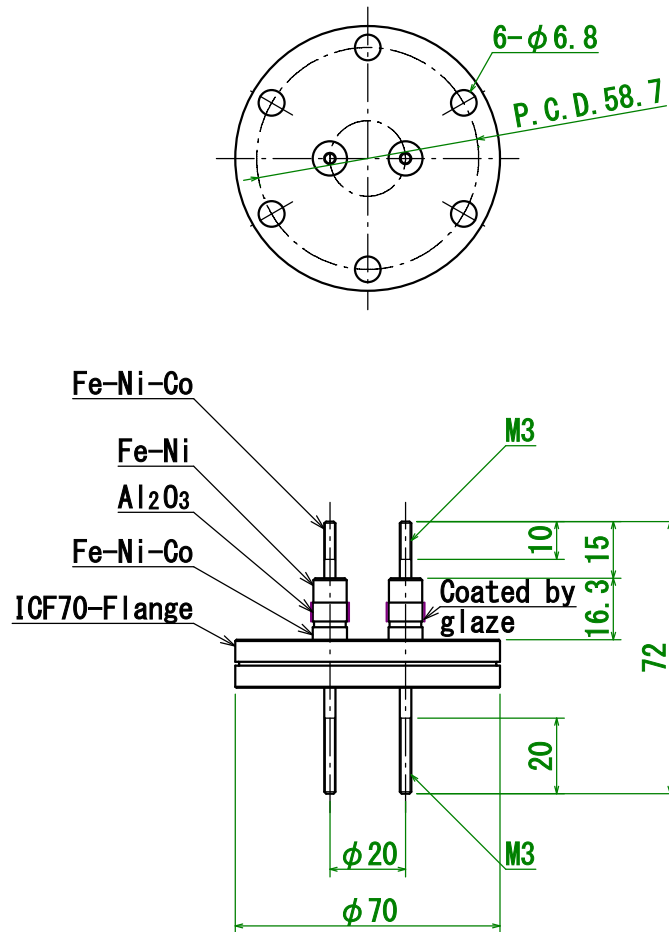


Specification	1kV-10A 2 Pins with ICF70 Flange
Model No.	PF-KM3-1kV-10A-I70-2
Contact	osaka-sales@kawasotexcel.co.jp Koeln-sales@kawasotexcel.de (in Europe)
Kawaso Texcel CO., Ltd.	



Model No. : PF-KM3-1kV-10A-I70-2

Dimensions are in Millimeter.