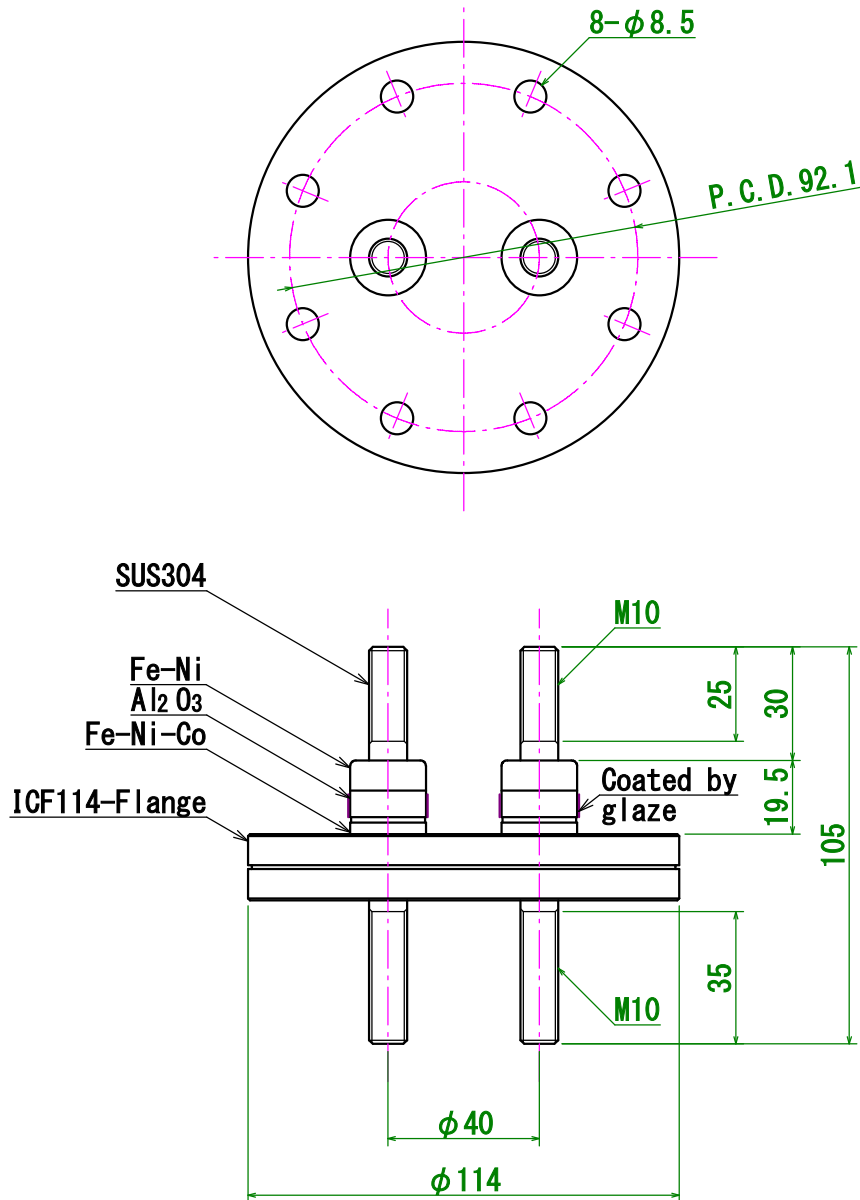


Specification	3kV-30A 2 Pins with ICF114 Flange
Model No.	PF-SM10-3kV-30A-I114-2
Contact	osaka-sales@kawaso-texcel.co.jp Koeln-sales@kawaso-texcel.de (in Europe)
Kawaso Texcel CO., Ltd.	



Model No. : PF-SM10-3kV-30A-I114-2

Dimensions are in Millimeter.