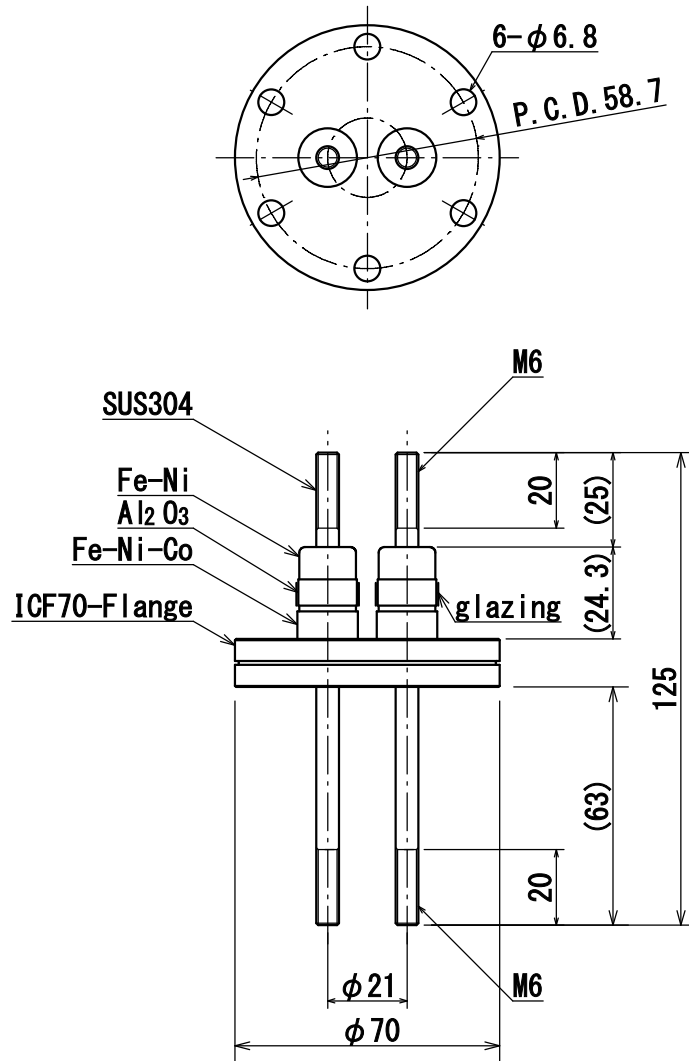


Specification	3kV-10A ICF70-Flange 2P
Catalog number	PF-SM6-3kV-10A-L-I70-2
Contact Us	osaka-sales@kawaso-texcel.co.jp Koeln-sales@kawaso-texcel.de (in Europe)
Kawaso Texcel CO., Ltd.	



Catalog number : PF-SM6-3kV-10A-L-I70-2