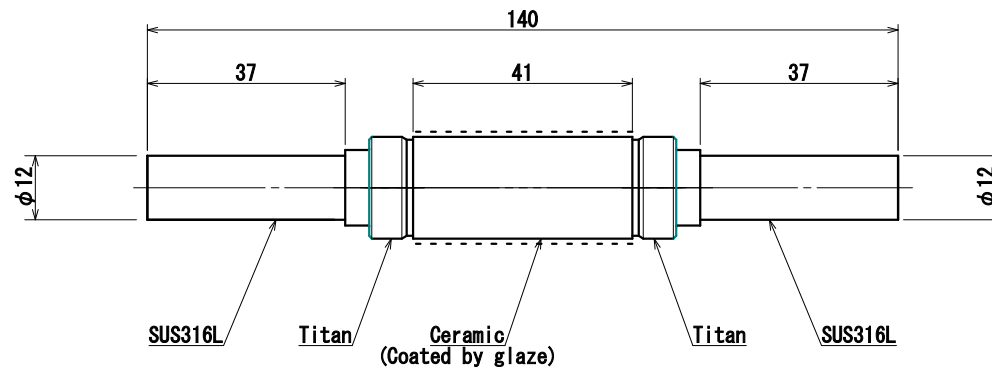


|                   |   |
|-------------------|---|
| <b>Model Name</b> | Cryogenic Breaks For Liquid   |
| <b>Model No.</b>  | CB-L-S1500V-12  |
| <b>Contact</b>    | osaka-sales@kawasotexcel.co.jp<br>KoeIn-sales@kawasotexcel.de (in Europe) |
|                   | Kawasotexcel CO.,Ltd.   |



**Caution**

- +Recommend Pure Water for usage, if use other type of liquid, it may cause Corrosion.
- +Avoid stress such as Impact, Bending, Twisting etc when you connect at the jointing part. (Fix the joint body with a tool and turn the nut secure.)

The specifications of the above are subject to change without notice.

**Model Name : Cryogenic Breaks For Liquid (CB-L-S1500V-12)**

Dimensions are in Millimeter.