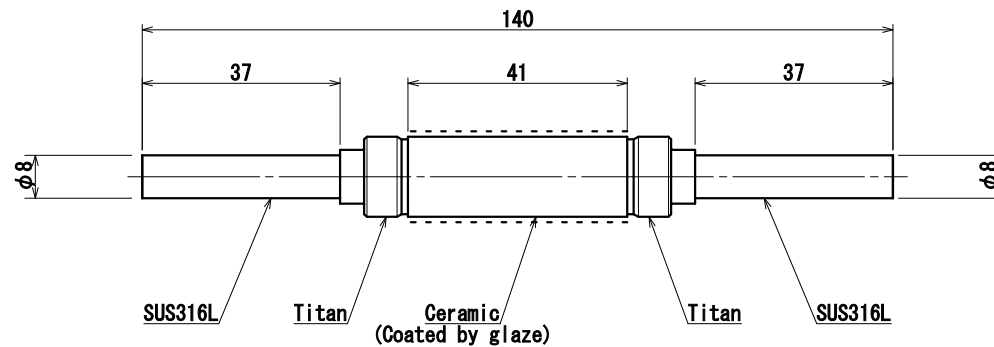


Model Name	Cryogenic Breaks For Liquid
Model No.	CB-L-S1500V-8
Contact	osaka-sales@kawaso-texcel.co.jp
	Koeln-sales@kawaso-texcel.de (in Europe)
	Kawaso Texcel CO.,Ltd.



Caution

- +Recommend Pure Water for usage, if use other type of liquid, it may cause Corrosion.
- +Avoid stress such as Impact, Bending, Twisting etc when you connect at the jointing part.
(Fix the joint body with a tool and turn the nut secure.)

The specifications of the above are subject to change without notice.

Model Name : Cryogenic Breaks For Liquid (CB-L-S1500V-8)

Dimensions are in Millimeter.